

School Video System Almost Free!

Imagine a teacher being able to chat with the principal, watch children in the playground, or view and control a movie without leaving the classroom.



Well you don't have to imagine...

What you need is a PVBX

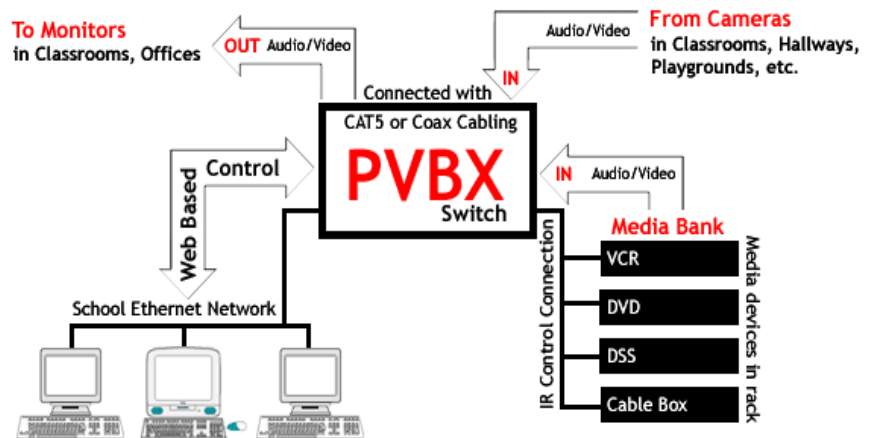
90% Off Sale ends February 12th*

A PVBX or **P**riate **V**ideo **B**ranch **eX**change is video switch available with e-rate funds. The PVBX switch connects Cameras, DVDs, VCRs and Cable / Satellite boxes to TVs in Classrooms and Offices around the school.

All of this media infrastructure can be accessed and controlled by Web based software on any school PC. It's very simple and intuitive to use.

The switch has between 32 and 128 inputs and outputs that can all be controlled and connected independently. PVBX switches can be ganged to build a huge array for a large Campus.

Security is built in, to limit who, how and when the switch can be controlled. The nine ways the switch can be used in a school environment are shown at the top of the page. Any or all of the modes can happen simultaneously.



* based on your e-rate funding eligibility and the February 12, 2009 filing deadline.

The Ten Reasons You Need A Video PVBX System

One

Virtual Media Cart

Play and control tapes and or DVDs in a classroom with out a player, media or remote control.



Two

Security

Monitor students and reduce misconduct, vandalism and theft.



Three

Video Contact

Don't just talk on the phone, have a real-time Video conversation with staff member.



Four

Broadcast Announcements

Monday morning, the principal can make an announcement to all classrooms.



Five

Control TV Access

Restrict TV access by time channel and location.



Six

Electronic School Bulletin Board

Display school events, lunch menus or a calendar of events to any TV on campus.



Seven

Emergency Mode

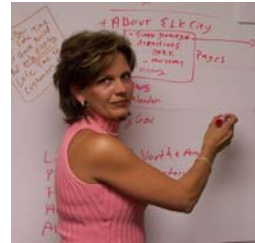
The superintendent, principal, medical and security staff can react faster. Their TVs show the classroom emergency.



Eight

Remote Teaching

Teach a class to multiple classrooms simultaneously. Or connect your classroom to your existing distance learning lab.



Nine

Off Campus Monitoring

View cameras and control devices remotely via the internet.



Ten

E-RATE ELIGIBLE!!

The PBVX switch is an e-rate item for this years funding. Get up to 90% off this e-rate eligible service



Get A Hands-On Demo

Take a 15 minute hands-on demo. All you need is an Internet connected PC or Apple. Contact DeAngelo Rios at **210-775-2131** or email at deangelo@storageark.com and will amaze you at what a PVBX can do. You control a switch with your PC, it is all web based and there is no software to install. We guarantee you will see why every school should apply for a PVBX using E-Rate funding.